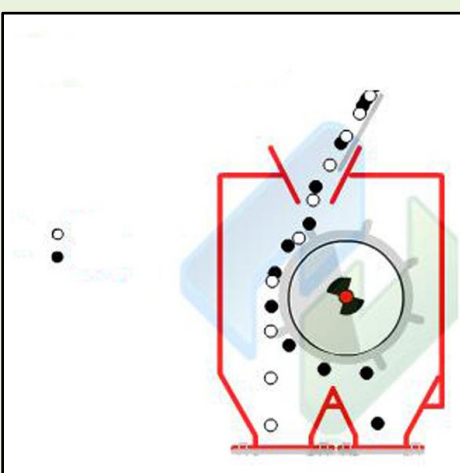


GME-CXJ Type Dry Powder Magntic Separators

GME-CXJ Type Dry Powder Magnetic Separators (vehieles from single cylinder to three tube) is a kind of from dry powder in consecutive divided automatically iron magnetic separation equipment, and its internal adopt unique magnetic circuit design, by high-energy permanent magnet nd-fe-b magnetic source materials as king, magnetic field intensity big suction and removing ferate is high, enters the material way adopts our unique uniformly vibrates the feeding device, the homogeneity of asphalt mixture, favors into the separation of magnetic separation area. With free maintenance, energy saving, safe and reliable in operation characteristics, adjustable control into feed, suitable for different particle requirements. Products are widely used in abrasives, refractories, nonmetal ore dressing, carton black, food, feed, chemical raw materials, etc.

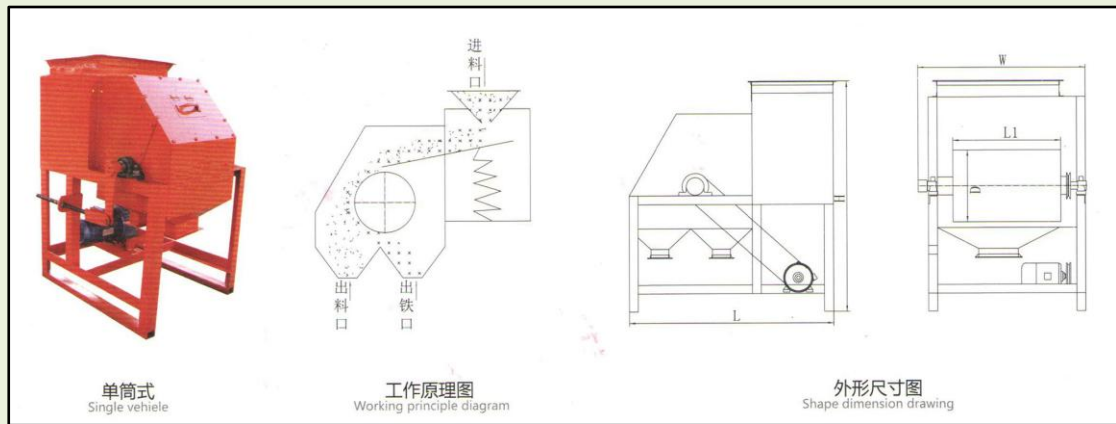
The main technique parameters:

Model	Envelop dimensions (mmLxWxH)	Roller length L1 (mm)	Roller diameter (mm)	Cylinder table top magnetic induction (Gs)	Roller quantity	Roller speed (r/min)	Productivity (T/h)	Material particle size (mm)	Motor power (Kw)
GME-CXJ-40-I	950x860x1050	400	300	1000-6000	1	17-82	≅ 1	≅ 5	0.55
GME-CXJ-60-I	950x1050x1100	600	300	1000-6000	1		≅ 2	≅ 5	0.55
GME-CXJ-60-II	1070x1050x1580	600	300	1000-6000	2		≅ 3	≅ 5	1.5
GME-CXJ-60-III	1250x1070x1990	600	300	1000-6000	3		≅ 4	≅ 6	1.5
GME-CXJ-80-I	1180x1260x1200	800	400	1000-6000	1		≅ 3	≅ 8	0.75
GME-CXJ-80-II	1420x1260x1670	800	400	1000-6000	2		≅ 5	≅ 8	1.5
GME-CXJ-80-III	1770x1260x2180	800	400	1000-6000	3		≅ 6	≅ 8	1.75
GME-CXJ-100-I	1300x1520x1440	1000	500	1000-6000	1		≅ 4	≅ 10	1.5
GME-CXJ-100-II	1620x1520x1970	1000	500	1000-6000	2		≅ 7	≅ 10	2.2
GME-CXJ-100-III	2260x1600x3320	1000	500	1000-6000	3		≅ 10	≅ 10	3

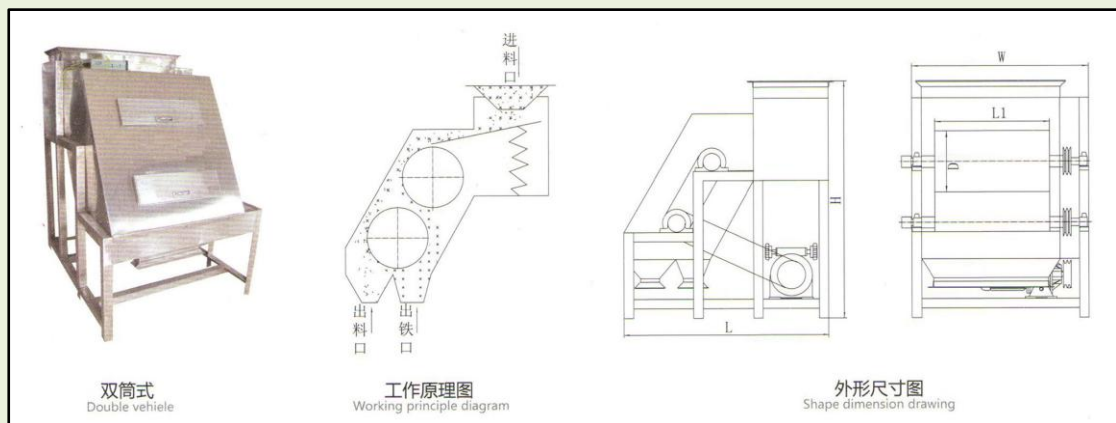


Product diagram:

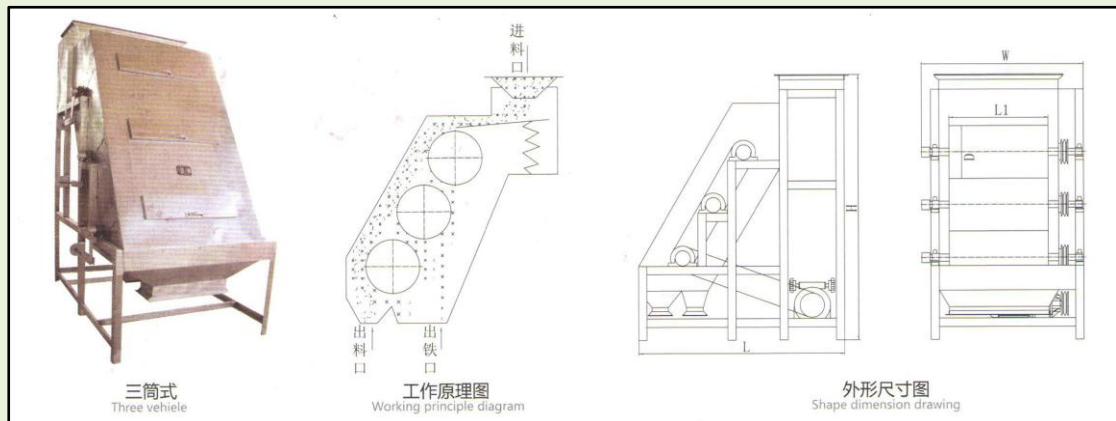
Single vehiele



Double vehiele



Three vehiele



Products display:

